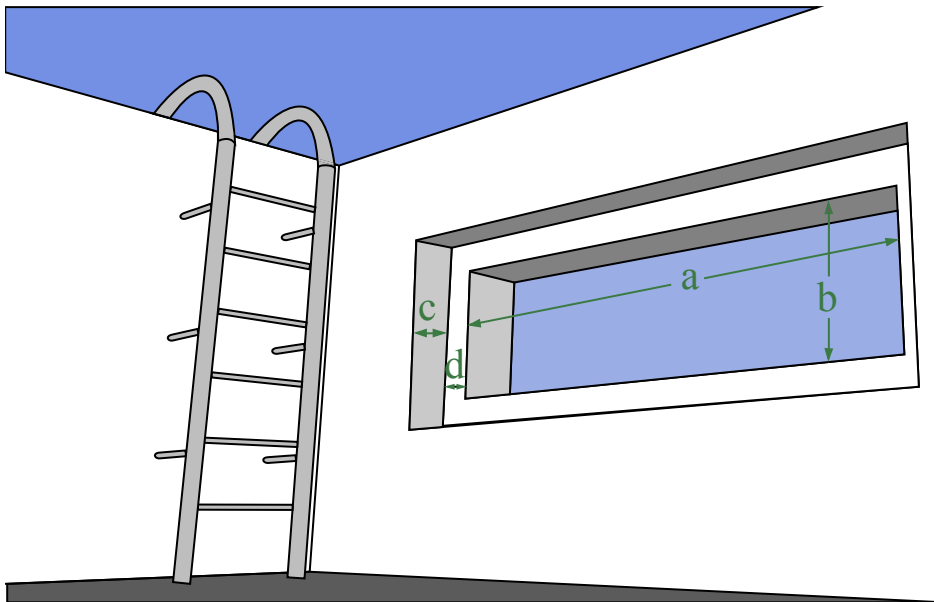


# WorkDrawing-400x400-400-20130906

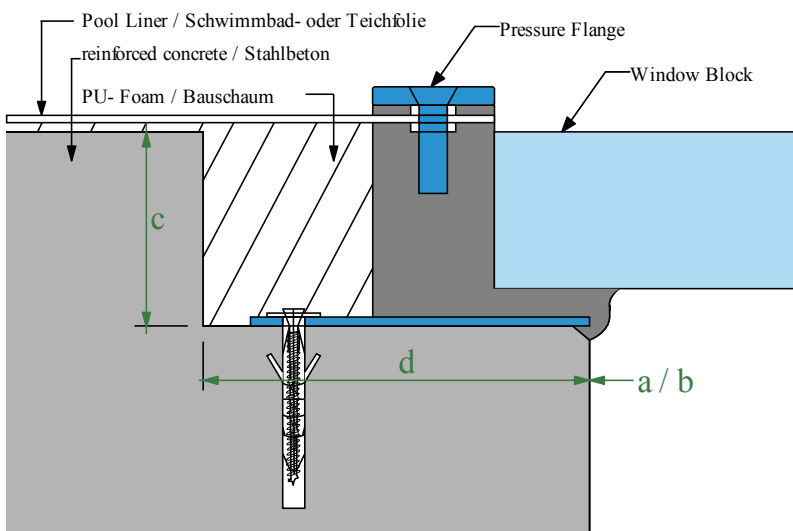
This paper is meant to install HYDROVIEW™ windows and custom Hydrosight underwater windows. Each window is build individually according to the customers specifications. This computer generated file gives the customer the dimensions for the corresponding wall opening.

window shape	rectangular window
clear view dimensions	400 x 400mm
aprox. total window size including frame	620 x 620mm
type of waterproofing	pool liner finish
estimated weight for one window	34 kg



## Opening in Concrete Wall before Mounting the Window

- a = 400 mm (clear view width)
- b = 400 mm (clear view height)
- c = 60 mm (recess opening depth)
- d = 140 mm (recess opening width)
- h = 10600 mm (maximum water level over window bottom)



## Profile view of installed underwater window for pool liners

issued 06.09.13 - © Hydrosight 2009-2013.

This calculation comes with absolutely no warranty, to the extent permitted by applicable law