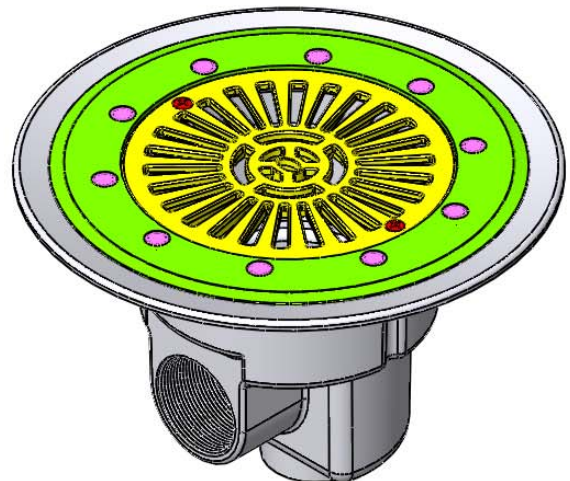
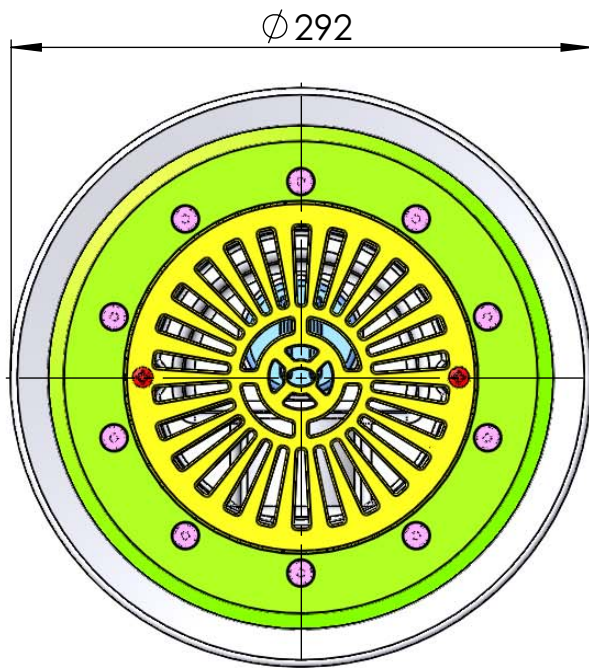
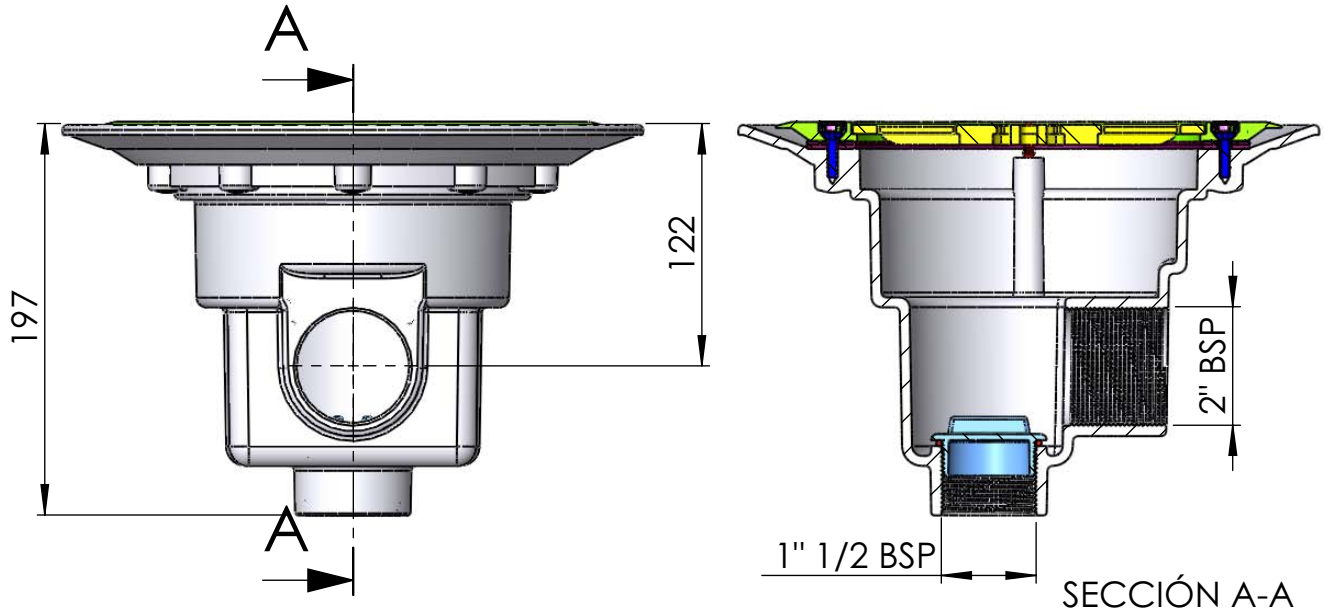


CÓDIGO / CODE: **07880**

DESCRIPCIÓN: **SUMIDERO D.290 PP S.INSERTOS**

DESCRIPTION: **DRAINS OF Ø290mm. FOR LINER PARKER MODEL WITH SELF TAPPING SCREWS.**



Nota: Unidades en mm
Note: Units in mm